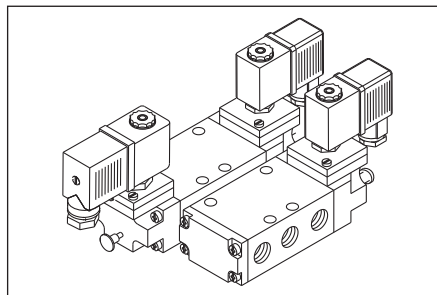


G 1/4 - 5/2 Modular Spool Solenoid Valves (53 Series)

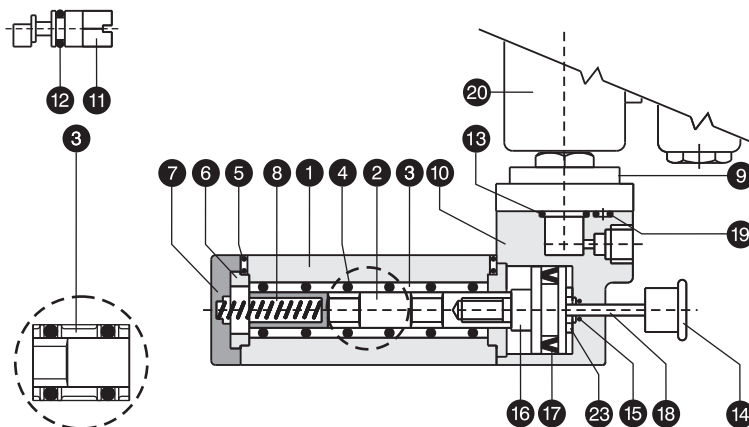
- Sturdy and rugged in construction.
- Available in side ported and subbase design.
- Solenoid operated valves available with spring return as standard, external pilot as optional.
- Offered in G25 design coil.
- Facility of gang manifolding for sub base design.



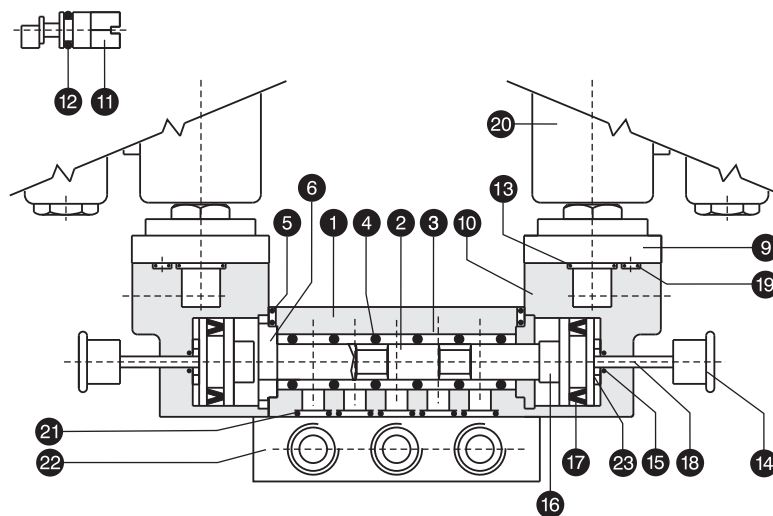
PART LIST

NO.	DESCRIPTION	QTY.	
		Single Sol.	Double Sol.
1	Valve body	1	1
2	Spool	1	1
3	Shell	5	5
4	'O' ring (Cage)	6	6
5	'O' ring (Body)	4	4
6	Bush	2	2
7	Spring housing	1	-
8	Spring	1	-
9	Tube Assly	1	2
10	Solenoid housing	1	2
11	M. O. pin	1	2
12	'O' ring for M. O. pin	1	2
13	'O' ring for tube assly	1	2
14	knob for plunger	1	2
15	'O' ring for plunger	1	2
16	Piston	1	2
17	'U' cap for piston	1	2
18	Plunger	1	2
19	'O' ring (Sol. housing)	1	2
20	Coil assembly (G 25)	1	2
21	Sub base 'O' ring*	5	5
22	Sub base plate*	1	1
23	Washer	1	2

Seal kit consists of items 3, 4, 5, 12, 13, 15, 17, 19 & 21
 (* for sub base valve only)



5/2 Single solenoid valve (Side ported design)

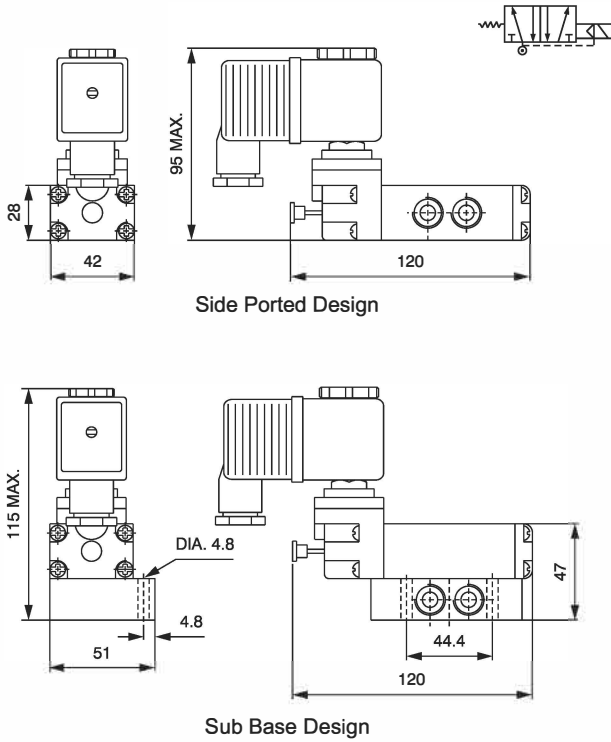


5/2 Double solenoid valve (Sub based design)

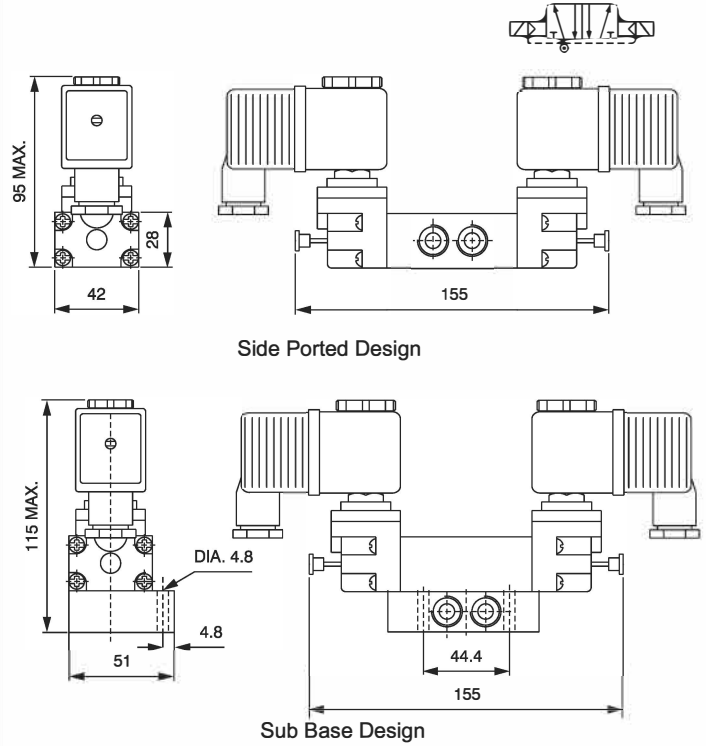
COIL SPECIFICATIONS

TYPE	VALVE WITH (G25 - 3W) COIL	VALVE WITH (G50 - 10W) COIL
Construction	SS plunger with NBR seals, SS magnet core assembled with brass adaptor	
Coli Voltage	AC : 24, 110, 230V 50 HZ DC : 12, 24, 110 V	AC : 24, 110, 230V 50 HZ DC : 12, 24, 110 V
Voltage Range	±10 %	+ 10% / - 15%
Power consumption	AC : Pull : 7.5 VA, Hold : 5 VA DC : 3 WATT	AC : Pull 21VA, Hold : 14VA DC : 10 WATT
Duty cycle	100%	
Class of insulation	F (Winding wire of class 'H' insulation)	
Degree of protection	IP 65	
Cable connector	PG 9 (DIN 43650)	PG 11 (DIN 43650)

**G 1/4 - 5/2 SINGLE SOLENOID
MODULAR SPOOL VALVE**



**G 1/4 - 5/2 DOUBLE SOLENOID
MODULAR SPOOL VALVE**



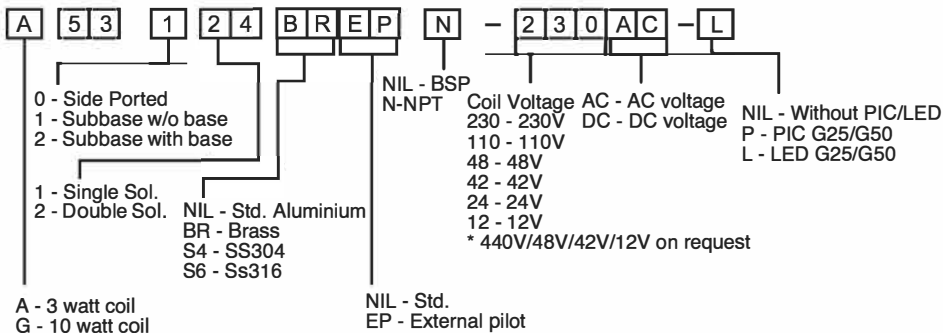
SPECIFICATIONS

Medium	Compressed air, filtered
Design	Spool type with spring return
Working pressure	2.7 - 10 Bar
Ambient / fluid temp.	-10°C + 60°C
Cv (Nominal flow)	1.0 (1000 lit/min.)
Optional features	PIC with light indicator. Explosion proof coil. Manual override (screw type) External pilot
Response time at 5 bar	On time : 10 ms. Off time : 35 ms.
Materials	Body : Aluminium/Brass/SS304/SS316 Spool : En1 A, Hard chrome plated Seals : NBR / HNBR

SPECIFICATIONS

Medium	Compressed air, filtered
Design	Spool type
Working pressure	1.5 - 10 Bar
Ambient / fluid temp.	-10°C + 60°C
Cv (Nominal flow)	1.0 (1000 lit/min.)
Optional features	PIC with light indicator. Explosion proof coil. Manual override (screw type) External pilot
Response time at 5 bar	On time : 10 ms.
Materials	Body : Aluminium/Brass/SS304/SS316 Spool : En1 A, Hard chrome plated Seals : NBR / HNBR

ORDERING INFORMATION



ORDERING INFORMATION SEALKIT

Port	Sub base	Side ported	Sub-base Ported
Single Solenoid	Bs14*	SK 53014	SK 53214
Double Solenoid	Bs14*	SK 53024	SK 53224

* - NIL - 1/4" BSP, N - 1/4" NPT

Note : For Brass/ SS304/ SS316 MOC valve, all internal component will be same as per standard valve except body, spring housing & solenoid housing.
For dimensional details consult factory.